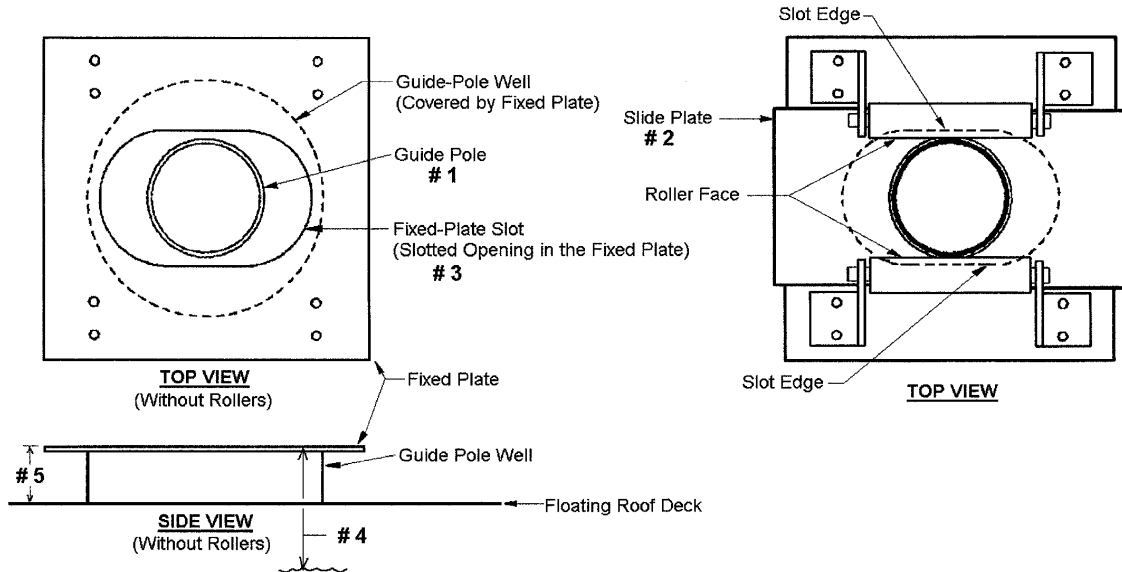


ULTRA CHECK, INC.
 1575 Main Street # 6
 Atlantic Beach, FL. 32233
 Ph: (904) 270-2709 Fax: (904) 270-2709
 Email; ultracheck@aol.com Website; ultracheck.com

STANDARD "SAFE SLEEVE" INSTALLATION CONSIDERATIONS
FOR FLOATING ROOF TANKS

These are "Standards", if you have exceptions it is possible that design changes can be made - many have been in the past.



If the tanks "as built" drawings are not available the following dimensions are needed. Please provide these measurements to Ultra Check. See the "Standard" drawings for the various sizes of Safe Sleeves.

1. Guide / Gauge Pole, O.D. _____.
2. Existing "Slide Plate", LENGTH _____, WIDTH _____.
3. Existing "Fixed Plate Slot", LENGTH _____, WIDTH _____.
4. Distance from Well top to Liquid level _____.
5. Distance from top of Fixed Plate to Floating Roof Deck.
6. The "Slot Edge" should be a minimum of 1/4" back (under the roller) from the "roller face" on both sides to prevent binding. During roof movement the Guide Pole must remain at least 1/4" away from all edges of the "Fixed Plate Slot" to allow room for the Safe Sleeve.
7. At its narrowest point the "fixed plate slot" must be wider than the outside diameter of the guide pole by 1 3/8".
 e.g. minimum of 10" for 8" guide pole (8 5/8" O.D.) and a minimum of 12 1/8" for a 10" guide pole (10 3/4" O.D.).
8. For reference, Tank Number, _____, Product Contained, _____.

INSTALLATION NOTES: Installation normally takes less than 1 1/2 hours. "Safe Sleeves" requires no cutting or drilling (all bolting gluing). "Rollers" will have to be unbolted and then reinstalled in their same location and may have to be raised 1" or less by placing a piece of pre-drilled steel plate under each "roller" bracket. The existing "side plate" will not be required after "Safe Sleeve" installation.

Any Questions or Problems, Please Contact Ultra Check