

# Ultra Check, Inc.

*"Slotted Guide Pole Emission Control Specialist"*

1575-6 Main Street, Atlantic Beach, FL 32233

Phone: (904) 270-2709 / Fax: (904) 270-1183

email: [ultracheck@aol.com](mailto:ultracheck@aol.com)

Please visit our website @ [www.ultracheck.com](http://www.ultracheck.com)

## Safe Sleeve

### Single Pole Emission Control Device



**Safe Sleeve shown with PTFE Skirt**



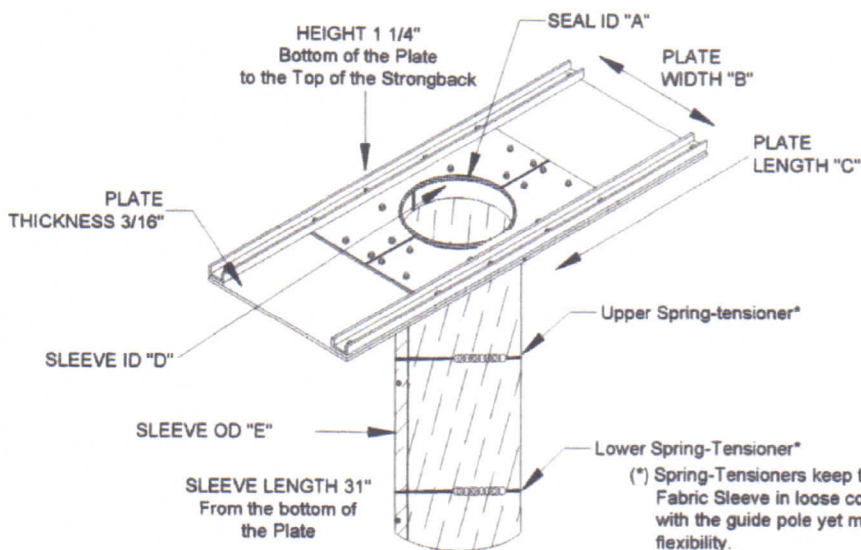
**Safe Sleeve with Aluminum Skirt**

- \*Low Profile External Gauge Pole Seal comes with either the Standard Aluminum or Stainless-Steel Slide Plates
- \*Consist of a PTFE, Aluminum, or a Stainless-Steel Skirt, a Viton or Buna-N Well Gasket & a PTFE Pole Wiper
- \*Our unique "Zero-Gap Pole Wiper" moves with, and always maintains contact with, the Gauge Pole
- \*Provides a Significant Vapor Loss Reduction Alone; and When Combined with our Float, Loss Reduction is Near 100%.
- \*Standard Sizes Kept in Stock
- \*Custom Multi-Pole Configurations are available, including Ladder Negotiator Sleeves & Thermo-Well Sleeves
- \*Can be Modified to Suit any Tank Design (example: Larger Bases or Plates and/or Custom-Sized Skirts)
- \*Easy installation and Can be Installed on In-Service Tanks; No Hot Work Required
- \*Provides Years of Service with Very Low Maintenance; Can Be Installed on any Type of Floating Roof
- \*Best Available Technique
- \*Since 1993 our Safe Sleeves have been installed and are in-service all over the world

## Safe Sleeve Standard Sizes

See Next page for Custom Safe Sleeves

### "Safe Sleeve" Slotted Guide Pole Emission Control – Size Sheet



Dimension Chart					
G.P.	"A"	"B"	"C"	"D"	"E"
4"	4 1/2	8 1/2	27	4 7/8	5 1/16
6"	6 5/8	10 3/4	29	7	7 3/16
8"	8 5/8	12 3/4	31	9	9 3/16
10"	10 3/4	14 3/4	33	11 1/8	11 5/16
12"	12 3/4	16 7/8	35	13 1/8	13 5/16

**Note:**

These are typical dimensions for use on the standard sized guide poles. Other sizes and configurations can be manufactured to fit other situations.

**ULTRA CHECK, INC.**  
**Standard Guide Pole "Safe Sleeve"**

Ted Tillinghast, Ultra Check, Inc. 7/17/00 5:25 PM SS\_Size\_Sheet.dwg

(\* ) Spring-Tensioners keep the Fabric Sleeve in loose contact with the guide pole yet maintains flexibility.

**Custom Shapes and Sizes  
 Including Pole Sleeves for  
 Guidepoles with Ladders  
 Are Available.**